

## Tube connector joints

### Aluminum

#### SPECIFICATION

##### Identification No.

No. **2**: with 2 Stainless Steel-Clamping screws DIN 912

Aluminium

plastic coated

black, RAL 9005, textured finish **SW**

blank

matt shot-blasted **BL**

Clamping bores mechanically machined

Socket cap screw DIN 912

Stainless Steel AISI 304

Hexagon nuts DIN 985

Stainless Steel AISI 304



#### INFORMATION

The clamping bores of GN 242 tube connector joints are mechanically machined and designed for construction tubes GN 990 (see page 1902) or DIN 2391, DIN 2395 and DIN 2462 respectively.

The standard version of the clamping screws are socket cap screws with hexagonal socket DIN 912. They can be replaced by clamping kits GN 911 (see page 1874) (article code see table of dimensions).

#### ACCESSORY

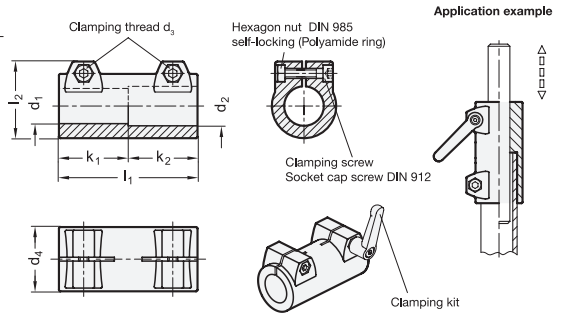
- Clamping kits GN 911 (see page 1874)

#### ON REQUEST

-  $d_1$  /  $d_2$  with different bores

#### TECHNICAL INFORMATION

- Stainless Steel characteristics (see page A26)



\* Complete with colour index of the Tube connector joints (SW or BL)

<b>SW</b>	<b>BL</b>
RAL9005	blank

#### GN 242

Description	d1	d2	d3	d4	k1	k2	l1	l2	Clamping kits for d3	△
GN 242-B20-B20-2-*	B 20	B 20	M 8	40	45	45	90	52	GN 911-M8-32	290
GN 242-B20-B25-2-*	B 20	B 25	M 8	40	45	45	90	52	GN 911-M8-32	290
GN 242-B20-B30-2-*	B 20	B 30	M 8	40	45	45	90	52	GN 911-M8-32	260
GN 242-B25-B25-2-*	B 25	B 25	M 8	40	45	45	90	52	GN 911-M8-32	242
GN 242-B25-B30-2-*	B 25	B 30	M 8	40	45	45	90	52	GN 911-M8-32	214
GN 242-B30-B30-2-*	B 30	B 30	M 8	40	45	45	90	52	GN 911-M8-32	202
GN 242-B40-B40-2-*	B 40	B 40	M 10	65	70	70	140	77.5	GN 911-M10-55	960
GN 242-B40-B45-2-*	B 40	B 45	M 10	65	70	70	140	77.5	GN 911-M10-55	869
GN 242-B40-B48-2-*	B 40	B 48	M 10	65	70	70	140	77.5	GN 911-M10-55	865
GN 242-B40-B50-2-*	B 40	B 50	M 10	65	70	70	140	77.5	GN 911-M10-55	834
GN 242-B42-B42-2-*	B 42	B 42	M 10	65	70	70	140	77.5	GN 911-M10-55	802
GN 242-B42-B48-2-*	B 42	B 48	M 10	65	70	70	140	77.5	GN 911-M10-55	800
GN 242-B42-B50-2-*	B 42	B 50	M 10	65	70	70	140	77.5	GN 911-M10-55	772
GN 242-B45-B45-2-*	B 45	B 45	M 10	65	70	70	140	77.5	GN 911-M10-55	760
GN 242-B45-B50-2-*	B 45	B 50	M 10	65	70	70	140	77.5	GN 911-M10-55	737
GN 242-B48-B48-2-*	B 48	B 48	M 10	65	70	70	140	77.5	GN 911-M10-55	700
GN 242-B50-B50-2-*	B 50	B 50	M 10	65	70	70	140	77.5	GN 911-M10-55	680

Weight BL